

### Technical data

Column Stage	3
Max. Weight Capacity	125KG
Height Range	630-1280mm
Width Range	1100-1900mm

### Accessory list

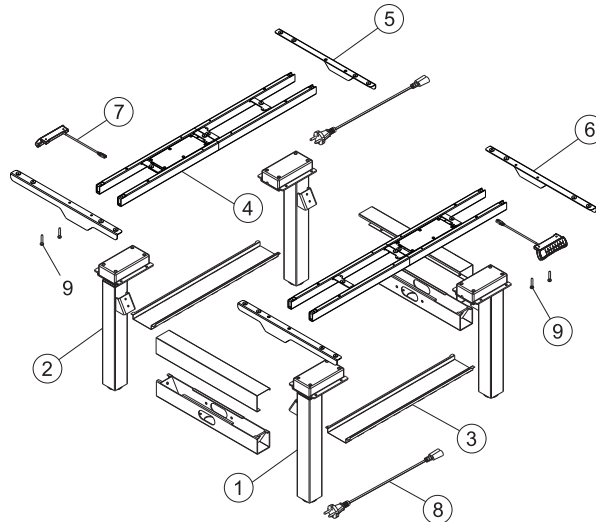
Attention: The drawings below are for guidance only and they may differ slightly from the product and fittings received. Please contact our customer service department if you have any queries.

No.	Image	Spec	Qty
A		M6	4
B		M6	4
C		M6	12
D		St4.2	16
E		Allen Key 4x4mm	1

Note: there are 2 screw packages in total.

### Component list

No.	Part	Qty	No.	Part	Qty
①	Left Lifting Column	2	②	Right Lifting Column	2
③	Cable Management Tray	2	④	Supporting Beam (with control box)	2
⑤	Left Side Bracket	2	⑥	Right Side Bracket	2
⑦	Handset	2	⑧	Power Plug	2
⑨	Handset Screw	4			



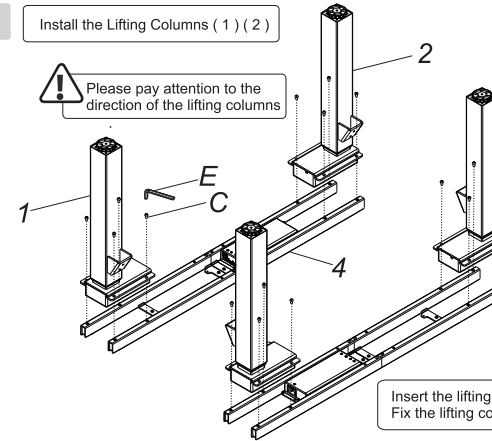
### Matching Parts

Part	Qty	Part	Qty
	2		2

	M6x8mm	4
	M8x12	8
	Allen Key 5x5mm	1

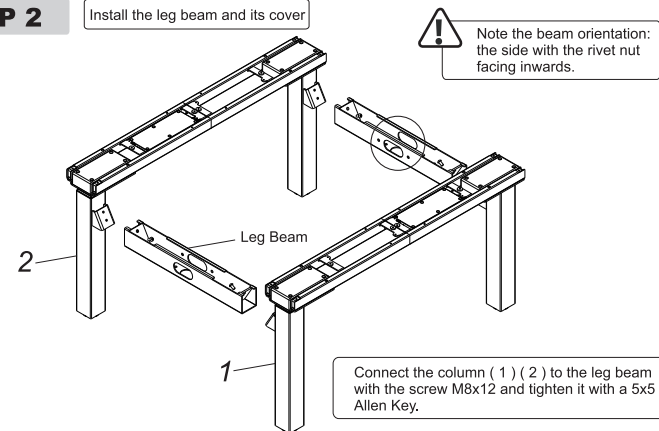
### STEP 1

Install the Lifting Columns (1) (2)



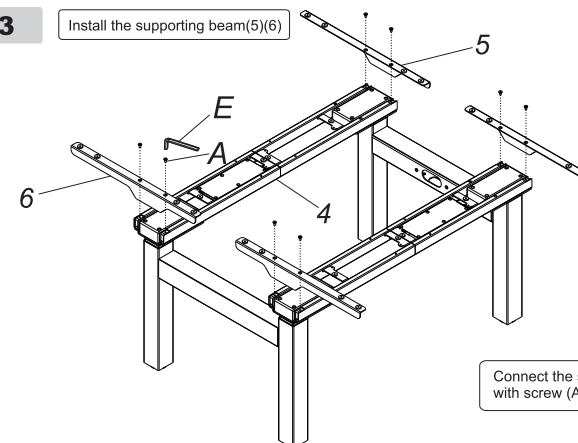
### STEP 2

Install the leg beam and its cover



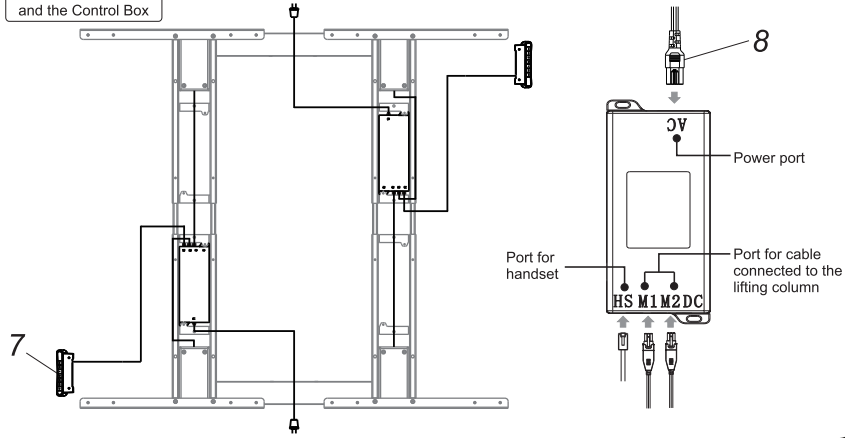
### STEP 3

Install the supporting beam (5)(6)



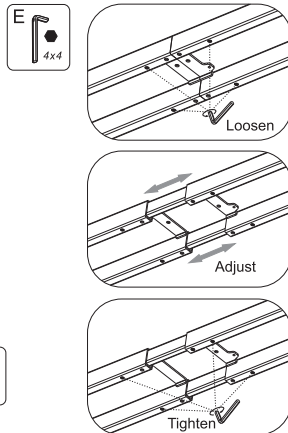
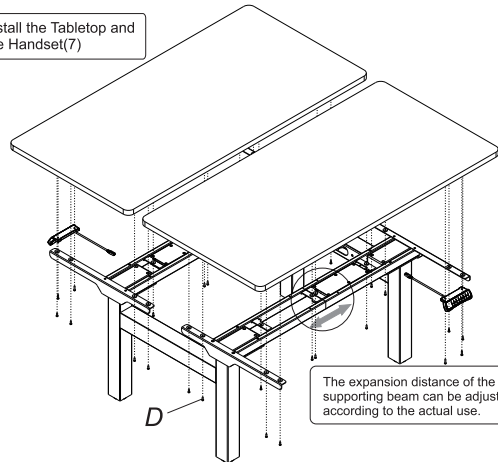
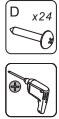
## STEP 4

Install the Handset and the Control Box



## STEP 5

Install the Tabletop and the Handset(7)

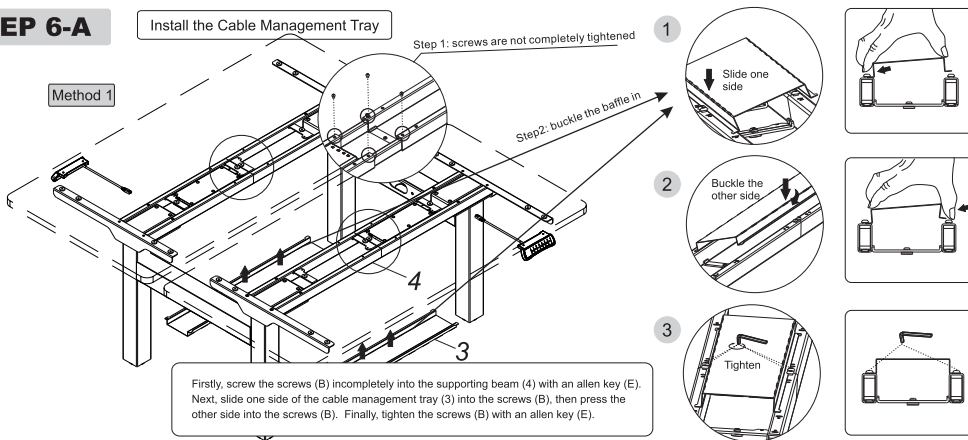


## STEP 6-A

Install the Cable Management Tray

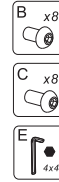


Method 1

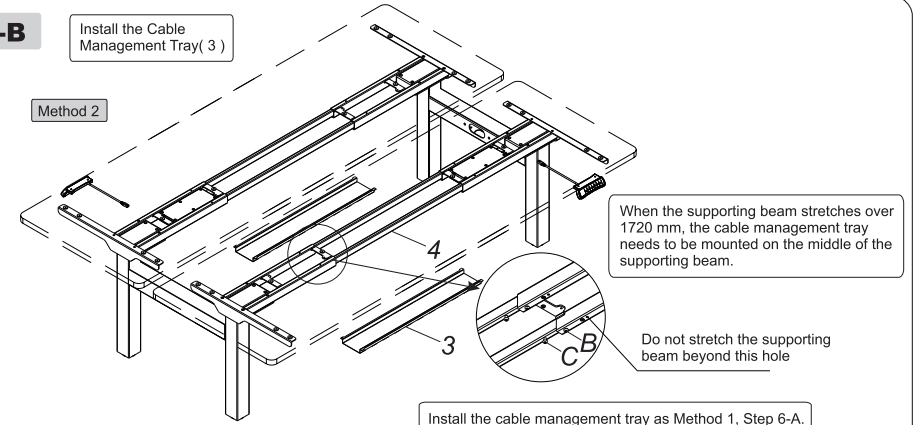


## STEP 6-B

Install the Cable Management Tray (3)



Method 2



Install the cable management tray as Method 1, Step 6-A.

## Common fault treatment

The following tips will help you detected and eliminate the common fault and error. If the fault you met is not listed below, please contact with your supplier. Only the manufacturer and professionals are capable for investigating and correcting those fault and error.

Fault phenomenon	Method
No response while long pressing down arrow after connected with a power supply	1. Check if all the cables be connected well 2. Contact your supplier or dealer
No response while pressing up arrow/ down arrow after connected with a power supply	1. Check if all the cables be connected well 2. Contact your supplier or dealer
Rising in a low speed	1. Check if overloaded, max loading: 125kg; 2. Contact your supplier or dealer
The motor not move as instructed	1. Contact your supplier or dealer
Go down but not go up	1. Reposition 2. Contact your supplier or dealer
Downward sliding	1. Check if overloaded, max loading: 125kg; 2. Contact your supplier or dealer
Frequently Reposition	1. Check if overloaded, max loading: 125kg; 2. Contact your supplier or dealer
Overwork (Duty cycle: Max 2min on/18min OFF)	1. Restart after suspend for 18mins while connecting with power; 2. Contact your supplier or dealer;
Not enough up&down height	1. Press "M"and "3" together for 3 seconds or more, after hearing continuous beeping for twice, it will restore factory settings. 2. Contact your supplier or dealer

## Attention

- Power supply: AC100V-240V,50/60Hz
- Service Environment: 0-40°C
- Unplug the power plug before cleaning, wipe the dust on surface with slight wet dishcloth when cleaning, be careful not to let the drops into the internal parts, not loose the connector.
- The electric box contains electronic components, metals, plastics, wires etc., so dispose of it in accordance with each country's environmental legislation, not the general household waste.
- Check carefully to ensure correct and complete assembly before using.
- Be familiar with all functions and program settings of the product before first use.
- Children are forbidden to play on the product because of unforeseen action when playing, so any dangerous consequences caused by this improper action will not be on manufacturers.
- Slight noise caused by the V-ribbed belt or brake system due to structure will not have any effect on the use of the equipment.
- Corrosive or abrasive materials are forbidden to clean the equipment. Must ensure that the cleaner used will not pollute the environment.
- This appliance can be used by children aged from 8 years and above and persons with reduced physical, sensory or mental capabilities or lack of experience and knowledge if they have been given supervision or instruction concerning use of the appliance in a safe way and understand the hazards involved. Children shall not play with the appliance.
- Cleaning and user maintenance shall not be made by children without supervision.
- If the supply cord is damaged, it must be replaced by the manufacturer, its service agent or a similarly qualified person in order to avoid a hazard.
- Please make sure there is no hazard sources in your operating environment, e.g., do not litter the tools around. Always be careful to treat the packaging materials in order to avoid any possible danger, e.g. plastic bag may lead to choking hazard to children.
- Keep the original package of the equipment if necessary in case of the future use in transportation.

## Waste disposal





This marking indicates that this product should not be disposed with other household wastes. To prevent possible harm to the environment or human health from uncontrolled waste disposal, recycle it responsibly to promote the sustainable reuse of material resources. To return your used device, please use the return and collection systems or contact the retailer where the product was purchased. They can take this product for environmental safe recycling.

**heijka**  
kantoormeubelen

## Installation guide

### Accessory list


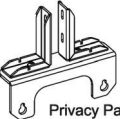
Attention: The drawings below are only for reference which might be slightly different from the actual object, please in kind prevail. Any tools missing or installation problems, please contact the customer service firstly.

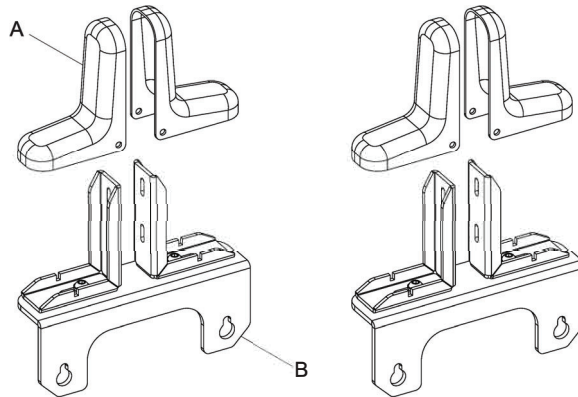
No.	Image	Spec	Qty
1		M6	4
2		ST4.2	8

### Technical data

Privacy panel adapter Panel maximum width	25mm
--	------

### Component list

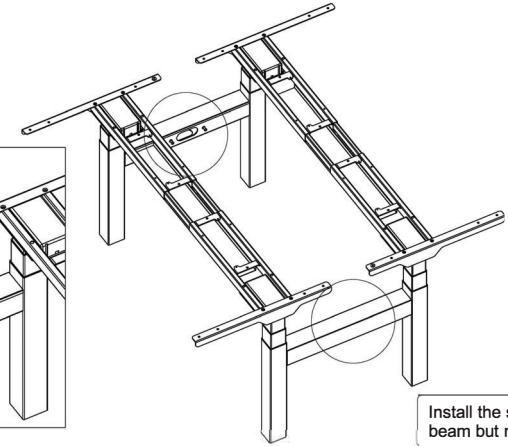
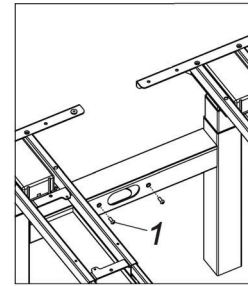
No.	Part	Qty
A	 Privacy panel adapter decorative cover	4
No.	Part	Qty
B	 Privacy Panel Adapter	2



### STEP 1

Install screws ( 1 )

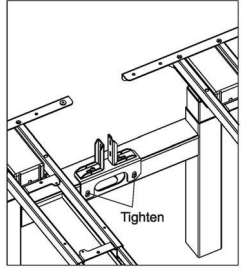
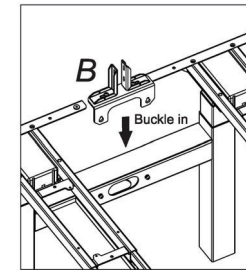
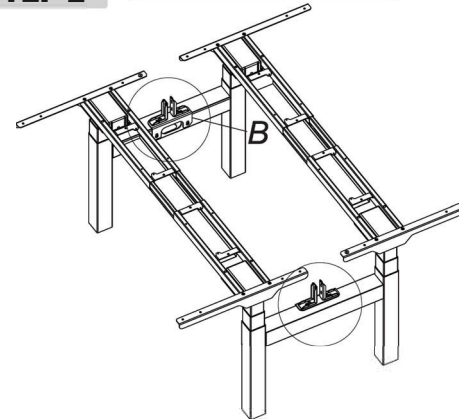
1 x4



Install the screw ( 1 ) into the beam but not fully tighten

### STEP 2

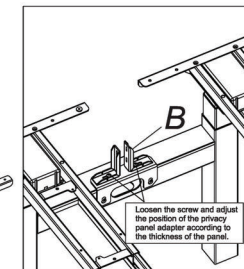
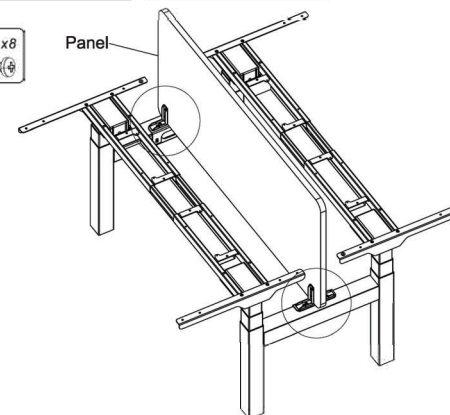
Install privacy panel adapter (B)



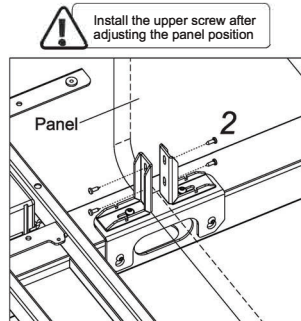
### STEP 3

Installation the panel

2 x8



Loosen the screw and adjust the position of the privacy panel adapter according to the thickness of the panel.

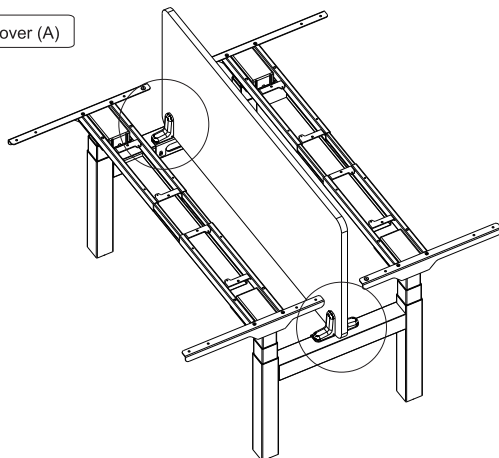
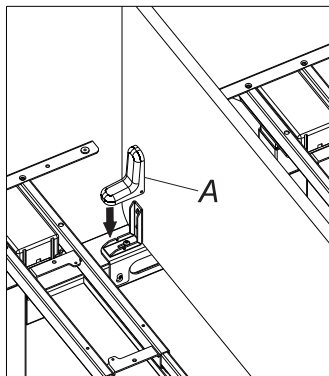


⚠ Install the upper screw after adjusting the panel position

Loosen the screw on the privacy panel adapter (B), adjust the position of the privacy panel adapter (B) according to the thickness of the panel, then tighten the screw ( 2 )

**STEP 4**

Install privacy panel adapter decorative cover (A)

**CAUTION**

This product contains small items that could be a choking hazard if swallowed. Keep these items away from young children.

- Make Sure these instructions are read and completely understood before attempting installation. If you are unsure of any part of this installation, please contact a professional installer for assistance.
- Children are forbidden to play on the product because of unforeseen action when playing, so any dangerous consequences caused by this improper action will not be on response.
- This appliance can be used by children aged from 8 years and above and persons with reduced physical, sensory or mental capabilities or lack of experience and knowledge if they have been given supervision or instruction concerning use of the appliance in a safe way and understand the hazards involved. Children shall not play with the appliance.
- Cleaning and user maintenance shall not be made by children without supervision.
- Please make sure there is no hazard sources in your operating environment. e.g., do not litter the tools around. Always be careful to treat the packaging materials in order to avoid any possible danger, e.g. plastic bag may lead to choking hazard to children.
- Keep the original package of the equipment if necessary in case of the future use in transportation.

**heijka**<sup>■</sup>  
kantoormeubelen

**Heijka Kantoormeubelen**

Zijlweg 13D

5145 NR Waalwijk

T +31 (0) 416 235665

E [info@heijka.nl](mailto:info@heijka.nl)

W [www.heijka.nl](http://www.heijka.nl)